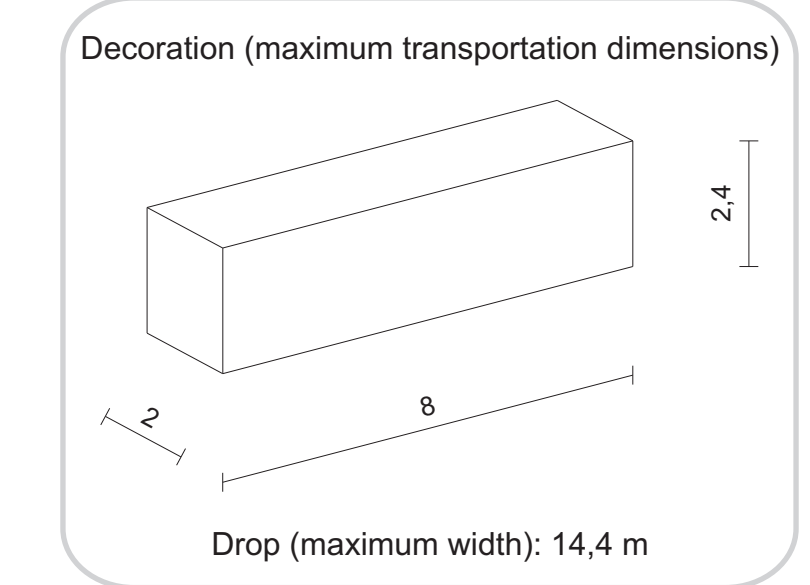
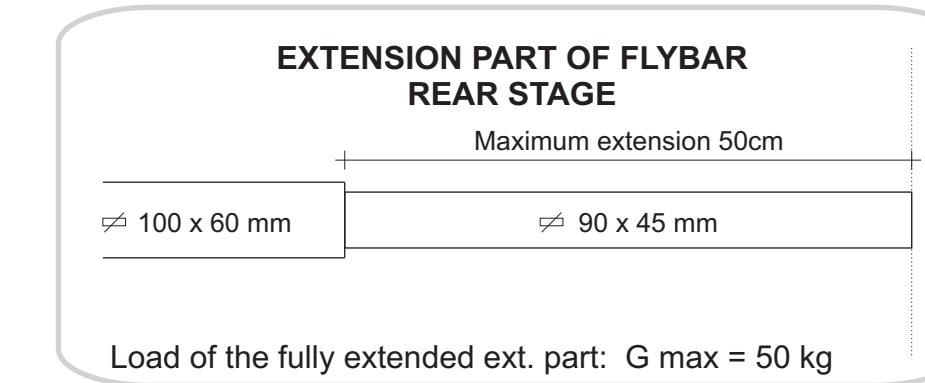
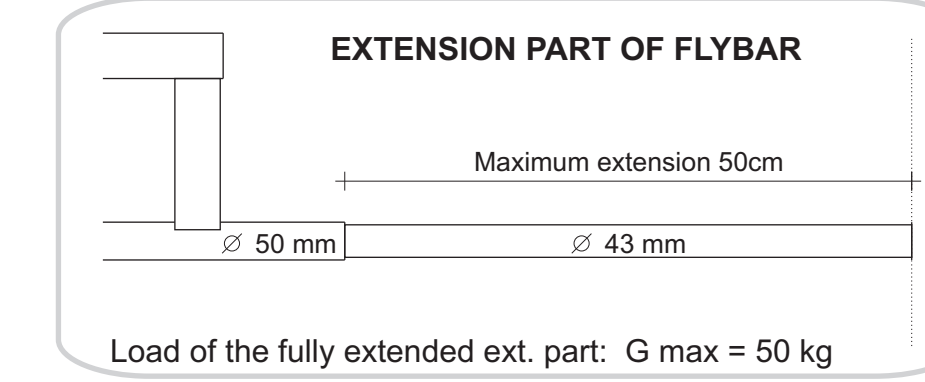
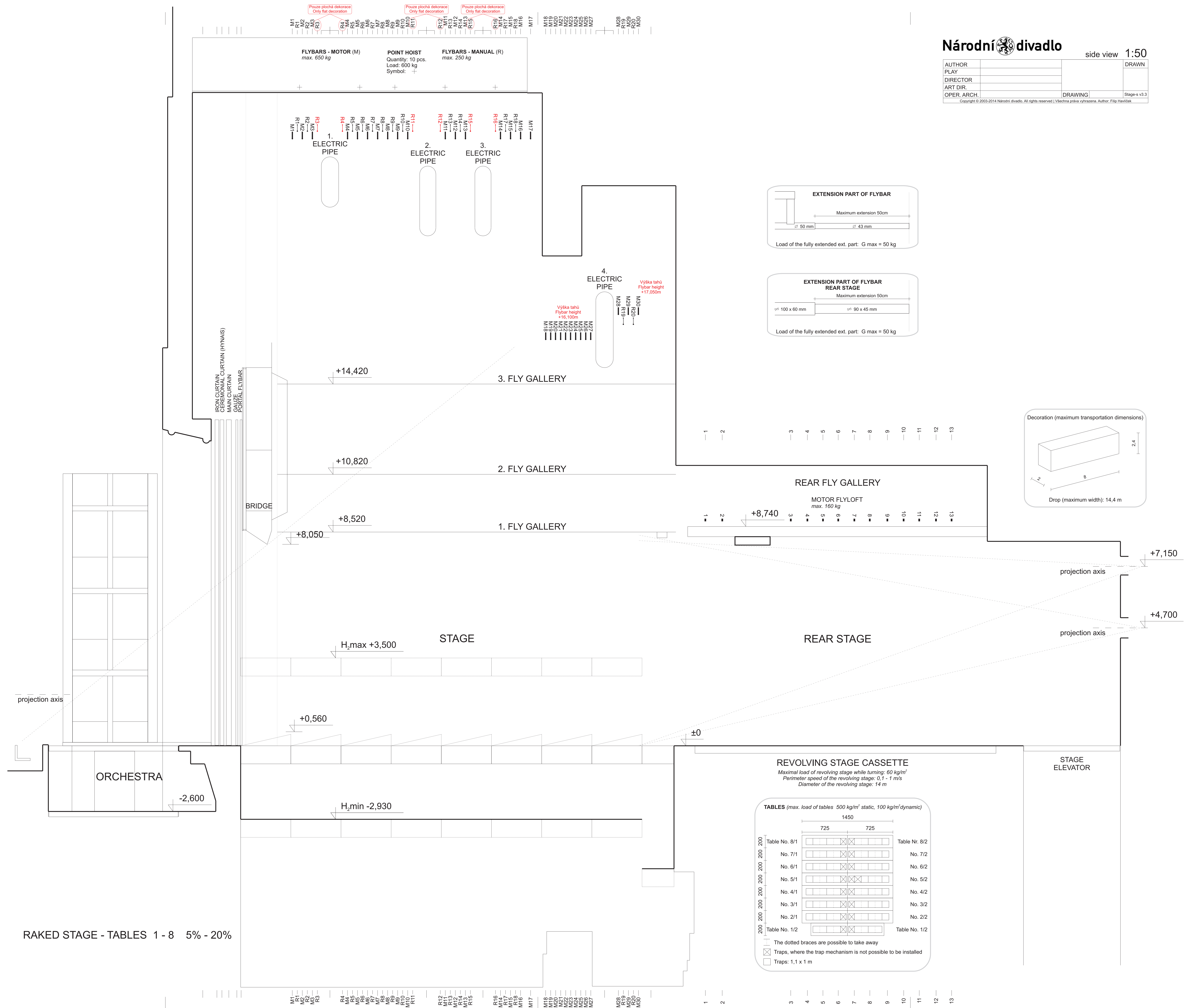


AUTHOR		DRAWN
PLAY		
DIRECTOR		
ART DIR.		
OPER. ARCH.	DRAWING	Stage v3.3

Copyright © 2003-2014 Národní divadlo. All rights reserved | Všechna práva vyhrazena. Author: Filip Havlíček



REVOLVING STAGE CASSETTE
Maximal load of revolving stage while turning: 60 kg/m²
Perimeter speed of the revolving stage: 0,1 - 1 m/s
Diameter of the revolving stage: 14 m

TABLES (max. load of tables 500 kg/m² static, 100 kg/m² dynamic)

Table No. 8/1	1450	Table No. 8/2
No. 7/1	725	No. 7/2
No. 6/1	725	No. 6/2
No. 5/1	725	No. 5/2
No. 4/1	725	No. 4/2
No. 3/1	725	No. 3/2
No. 2/1	725	No. 2/2
Table No. 1/2	725	Table No. 1/2

The dotted braces are possible to take away
 Traps, where the trap mechanism is not possible to be installed
 Traps: 1,1 x 1 m